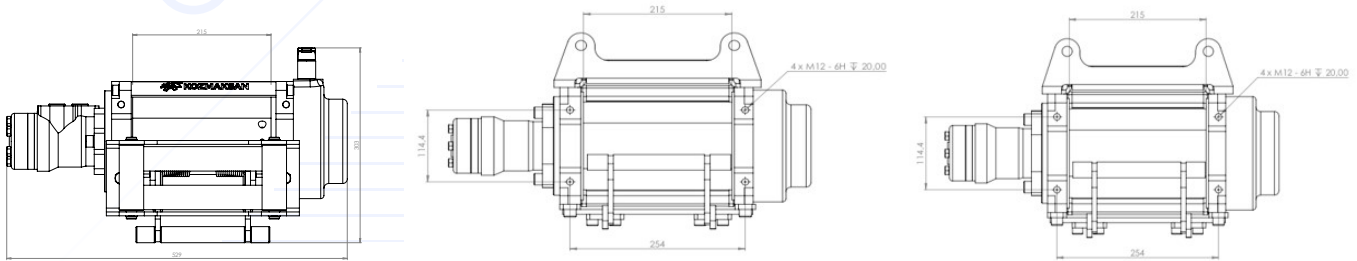
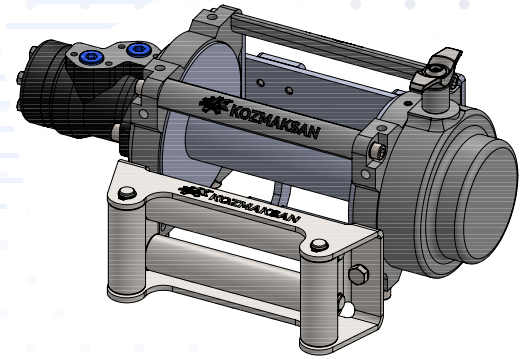


- ▶ High-strength, long-lasting steel body
- ▶ Extra reinforced planetary gear system with special steel heat treatment
- ▶ Lightweight and powerful design
- ▶ Standard winch guide system and rope stabiliser
- ▶ Manual winch discharge system provided as standard
- ▶ High torque hydromotor



Rope Winding Count	Pulling Capacity lbs	Winding Speed m-min/(ft-min)	Rope Length m/ft
1	10000	5,3/17,3	5/16,4
2	8012	4,6/15	11,3/37
3	6683	2,7/8,85	18,6/61
4	5732	1,4/4,6	25,5/83,6

Technical Specifications

Pulling Rate	: 10000 Ibs (4535 kg)	Rope	: 25 m x Ø 10mm
Motor Displacemet	: 50 ml/r	Fairlead	: 4-ways rollers
Oil Flow	: 5 ~ 45 L/min	Net Weight	: 65 kg
Pressure	: 14 Mpa	Mounting Bolt Pattern	: 254mm x 114,3mm
Gear	: 2-stage planetary	Dimensions	: (L x W x H) 519mm x 226mm x 262mm
Gear Ratio	: 26:-1		

Line Speed and Motor Current (First Layer)

Line Pull	Lbs	0	5732	6683	8012	10000
	Kgs	0	2600	3031	3634	4536
Line Speed	m/min	0,7	1,4	2,7	4,6	5,1
Pressure	PSI	290,1	453.1	986.2	1493.9	1668
Oil Flow	l/min	5	10	20	35	40